

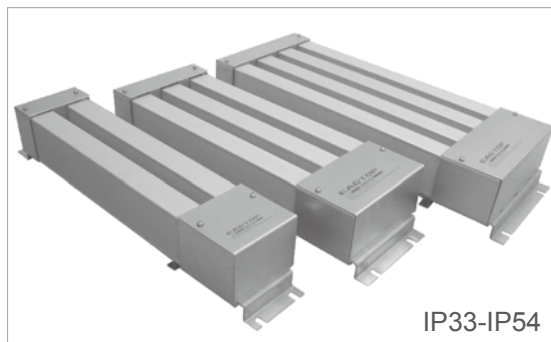
铝壳多联体电阻器

Aluminum Resistor Multi-Unit

产品简述 (Product Profile)

ARXU系列电阻器在传统铝壳电阻器两端加装不锈钢挡片, 进行密封, 并在两端加装支架对薄弱部分进行保护, 使其IP等级达到IP54。

ARXU series resistors are combined ones. Extra stainless plate shields and stands are fixed at the two ends of traditional Aluminum Enclosure Resistors in order to seal resistors properly and protect the fragile parts, so the Ingress Protection could reach IP54.

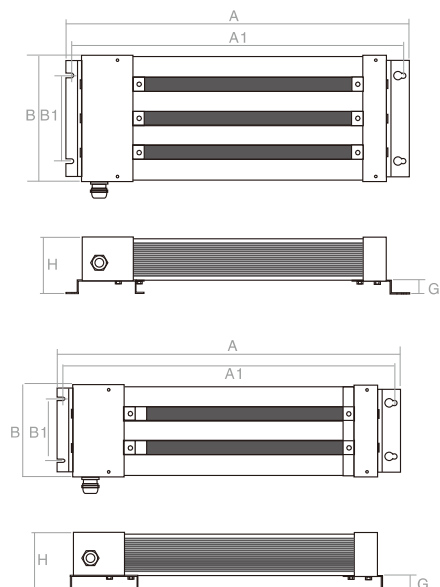


产品特点 (Product Features)

- | | |
|---------------------------------|---|
| 1. 耐压: AC3000V 50Hz 5S | 1. Dielectric strength: AC 3000V 50Hz 5s |
| 2. 绝缘电阻: 线-地1000VDC, 绝缘阻值≥100MΩ | 2. Insulation resistance: DC1000V ≥100 MΩ |
| 3. 额定功率: 200W~3000W | 3. Rated power: 200W-3000W |

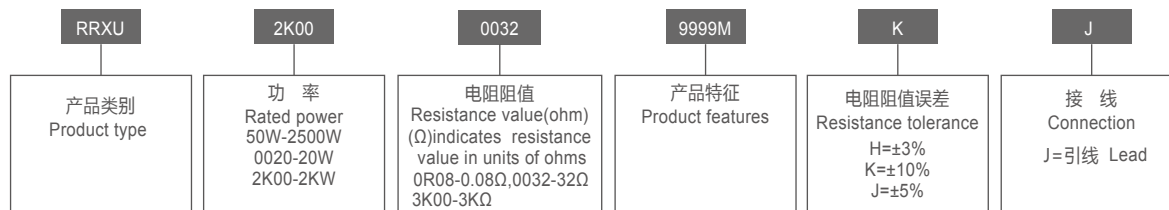
产品尺寸表 (Product Size)

规格 Type	功率 Rated power(W)	尺寸 Dimension(mm)						配线 Connecting Wire(mm)	引线长度 Lead length (mm)	阻值范围 Resistance range(Ω)
		A	A1	B	B1	G	H			
RRXU (单联体) Single	200	268	253	64	30	20	54	1.5	500	1Ω-10KΩ
	300	318	303	64	30	20	54	1.5	500	1Ω-10KΩ
	400	368	353	64	30	20	54	1.5	500	1Ω-10KΩ
	500	438	423	64	30	20	54	1.5	500	1Ω-10KΩ
RRXU (双联体) Double	600	503	488	64	30	20	54	1.5	500	1Ω-10KΩ
	800	372	355	84	49	20	84	1.5	500	1Ω-10KΩ
	1000	442	425	84	49	20	84	1.5	500	1Ω-10KΩ
RRXU (三联体) Triple	1200	507	490	84	49	20	84	1.5	500	1Ω-10KΩ
	1200	372	355	134	75	20	84	1.5	500	1Ω-10KΩ
	1500	442	425	134	75	20	84	1.5	500	1Ω-10KΩ
RRXU (四联体) Quadruple	1800	507	490	134	75	20	84	1.5	500	5Ω-10KΩ
	1600	372	355	184	125	20	84	1.5	500	5Ω-10KΩ
	2000	442	425	184	125	20	84	1.5	500	5Ω-10KΩ
RRXU (五联体) Quintuple	2400	507	490	184	125	20	84	1.5	500	5Ω-10KΩ
	2000	372	355	234	175	20	84	1.5	500	5Ω-10KΩ
	2500	442	425	234	175	20	84	1.5	500	5Ω-10KΩ
	3000	507	490	234	175	20	84	1.5	500	5Ω-10KΩ



(其他技术参数要求, 请垂询我司业务
For other technical parameters & requirements, please contact our company's salespeople.)

成品识别 (Product Identification Code)



ARXU.2K00.0032.9999M(9999M表示常规品2K W/32 R 铝壳多联体电阻器 9999M means standard product 2kW/32R Aluminum Enclosure Resistor)
ARXU.2K00.0032.6218A(9999M表示“6218”客户非标品2K W/32 R 铝壳多联体电阻器 9999M means customer non-standard product 2kW/32R Wire Wound Resistor)